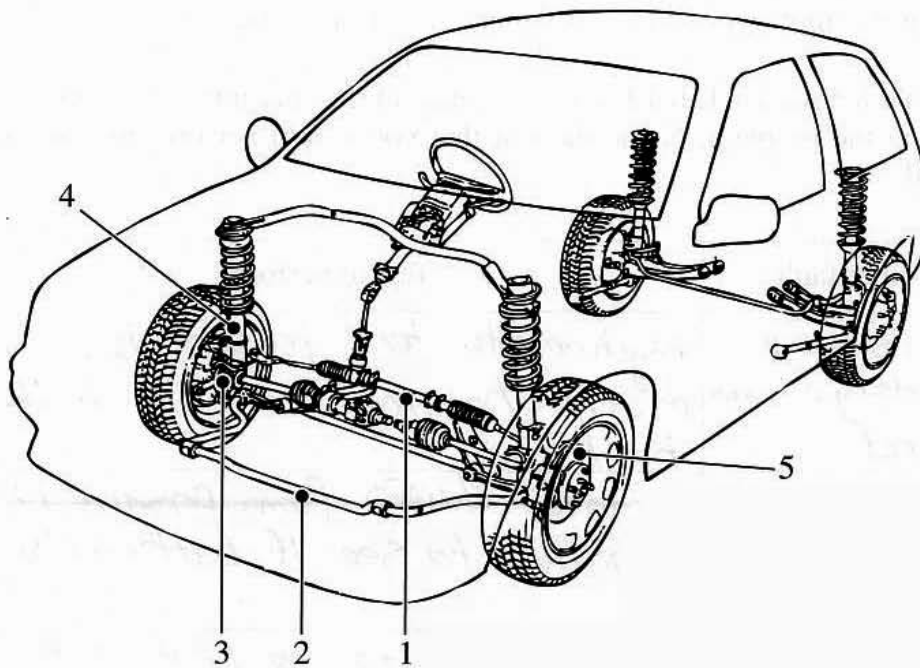


Question 18 (8 marks)



(a) Complete the table below, naming each numbered component and describing its function.

5

Name	Function
1. Wheel alignment	to turn the steering from left to right when driving
2. Sway bar	
3. brake pads	When brake applied it rubs on to the part to slow it down.
4. Suspension	give the car even weight when driving in case uneven and doesn't damage tyres over bumps.
5. Disc brakes	helps the car to slow down when brake is applied

Question 18 continues on page 12

Question 18 (continued)

- (b) A customer complains that the car battery is constantly running flat.

3

In the table below, list THREE possible faults in the charging system that could be causing the problem. Name the test that you would perform for each fault identified.

Possible fault	Test to perform
the cells inside the battery all been rusted.	Hydrometer test to see how much charging power is in the battery.
Positive or negative has been damaged	Alligator clamps from positive to negative to see if battery charges
Positive or negative could be on wrong	Check battery to see the positive and negative symbol and then see if the leads are on right.

End of Question 18